

Outside Opening

Window Size: 1200x1850 -W1
Schedule item no: 41(a)

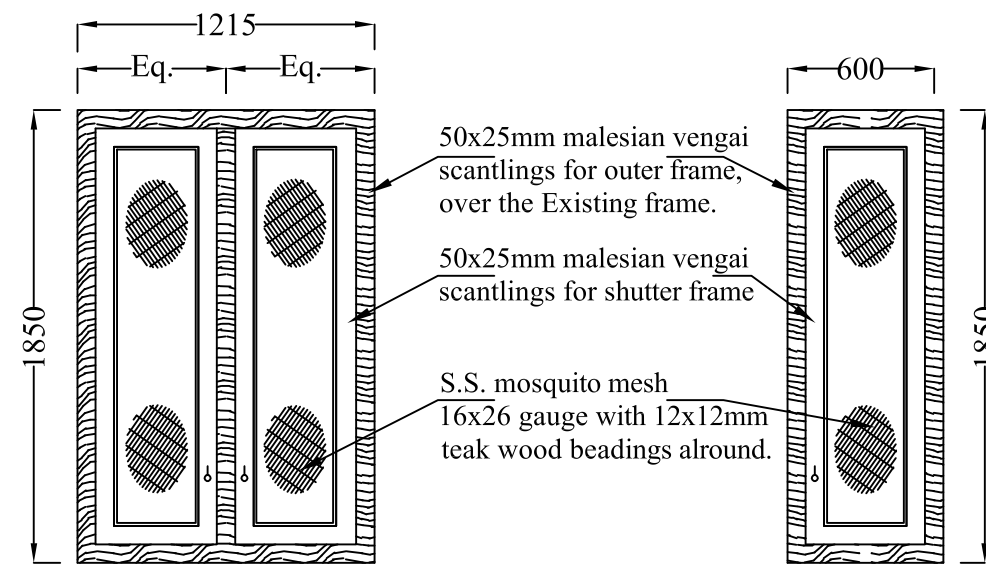
Inside Opening

Furniture fittings:

1. M.S.Holdfasts 150x50x6mm - 4 nos.
2. I max friction hinges 250mm long approved ISI make and quality powder coated (top and bottom) - 2 sets.
3. 75x10mm long Alu.towerbolt - 4 nos.
4. 25mm dia. brass cp rings - 2 nos.

Furniture fittings:

1. 75mm long Alu.hinges with screws - 6 nos
2. 75x10mm long Alu.towerbolt - 4 nos.
3. 25mm dia. brass cp rings - 2 nos.



Inside Opening

Window Size: 1215x1850 -W2
Schedule item no: 41(b)

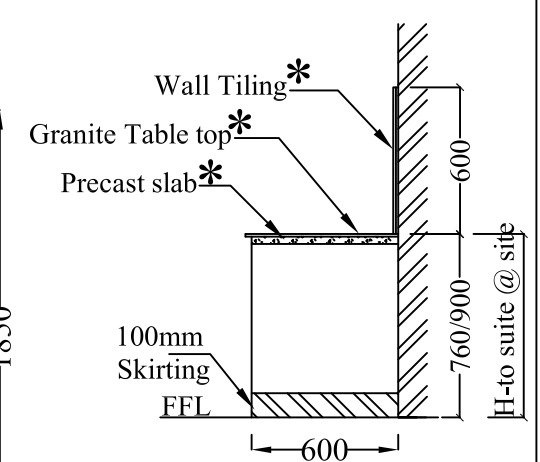
Furniture fittings:

1. 75mm long Alu.hinges with screws - 6 nos
2. 75x10mm long Alu.towerbolt - 4 nos.
3. 25mm dia. brass cp rings - 2 nos.

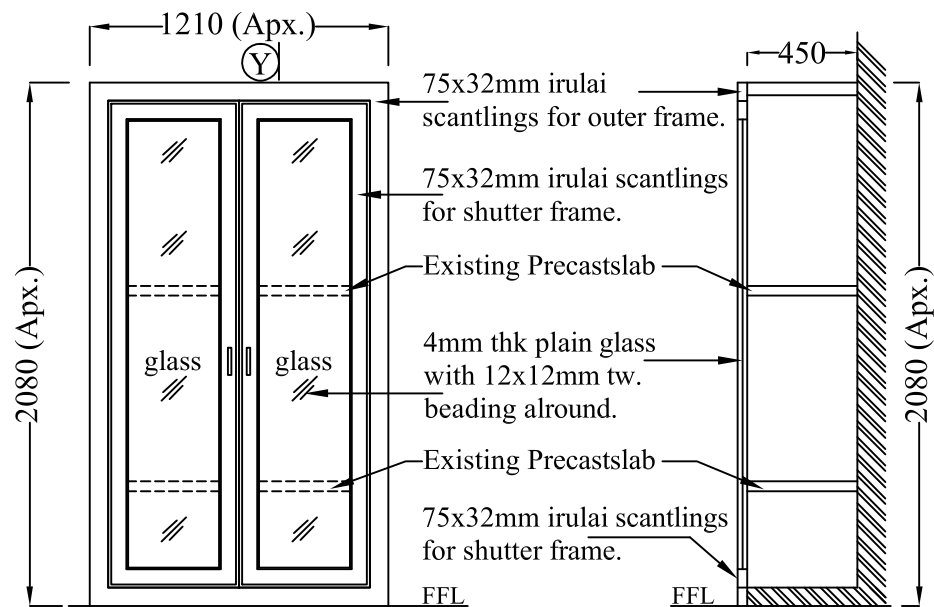
Window Size: 600x1850 -W3
Schedule item no: 41(c)

Furniture fittings:

1. 75mm long Alu.hinges with screws - 6 nos
2. 75x10mm long Alu.towerbolt - 4 nos.
3. 25mm dia. brass cp rings - 2 nos.



SECTION OF WT FOR PANTRY @ SINK
Schedule item No:



CUPBOARD SHUTTER - CB

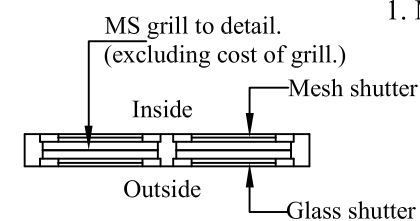
Size: 1210x2080mm

Schedule item No: 43(a)

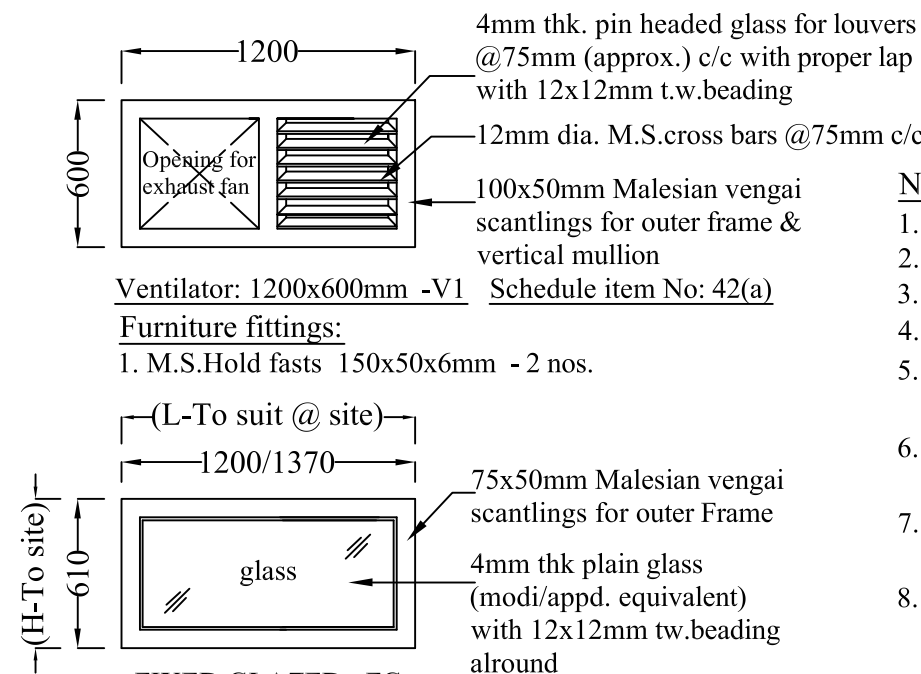
Fittings: (ISI make) for one unit.CB

1. 100mm long S.S. hinges with screws - 6nos.
2. 150x12mm alu. tower bolt - 2nos.
3. S.S. brush finish Handle 150mm long 'C' type make - Hafele / Ebco. - 2nos.
4. S.S. Locking eye - 1 set.
5. Magnetic catcher - 2 nos..

SECTION ON 'YY'



SECTION OF - W1



Ventilator: 1200x600mm -V1 Schedule item No: 42(a)

Furniture fittings:

1. M.S.Hold fasts 150x50x6mm - 2 nos.

FIXED GLAZED - FG

Size - 1200/1370x610mm

Schedule item No: 41(d), (e)

Furniture Fittings:-

1. M.S.Holdfast 150x50x6mm - 4nos.

Note:

1. All dimensions are in mm.
2. All alu. fittings are of ISI make. unless otherwise mentioned.
3. All wood are free from knots & whites of first quality.
4. 1.5mm planning tolerance on each wrought face is permitted.
5. All sizes mentioned are approximate to suit site conditions and as per actual measurements.
6. All exposed teak wood beadings are to be polished with sheenlac french polishing to a satisfactory finish.
7. All glass 4mm/5mm thick plain glass/frosted of MODI/ Saint Gobain appd. equivalent.
8. * PAYMENT WILL BE MADE SEPARATELY

TENDER PURPOSE ONLY

CHRISTIAN MEDICAL COLLEGE - VELLORE

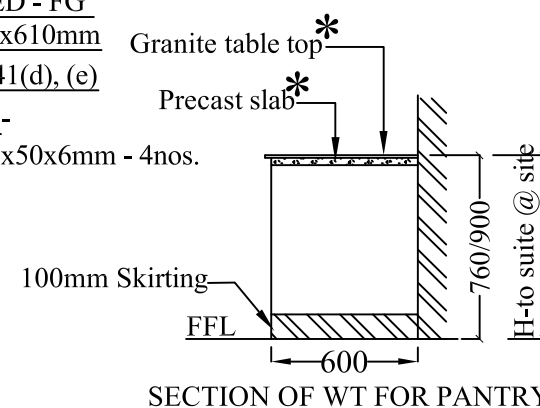
MODIFICATIONS TO NURSING SERVICE,
FIRST FLOOR OF MAIN BUILDING (ADMIN. BLOCK)
AT CMC TOWN CAMPUS.

JOINERY DETAIL

DATE : 25.05.2024 DRG.NO:CMC/NUR.SER./J-01

DRAWN: M.B. CHECKED: Faheem SCALE: NTS.

PLANNING ENGINEER:



SECTION OF WT FOR PANTRY